



# ARCO

2-in-1 Modular Coffee Grinder  
USER MANUAL

The instructions in this manual apply to the GOAT STORY ARCO 2-in-1 coffee grinder.  
Please read this manual carefully before using the grinder.



**LEARN MORE**

**Product name: ARCO 2-in-1 coffee grinder**  
**Version: V01S01**

**This manual applies to models:**

HGADSV01S01B120V  
HGADSV01S01A100V  
HGADSV01S01F230V  
HGADSV01S01G230V  
HGADSV01S01I230V  
HGADSV01S01J230V

**ARCO 1-year limited warranty**

EQUA d.o.o. (with its trade mark GOAT STORY) issues a warranty for the product and accessories against defects in materials and manufacturing for one year from the date of purchase. The warranty does not cover wear and tear or damage caused by accident or abuse. If you submit a valid claim under this warranty, EQUA d.o.o. will either repair, replace or refund your ARCO 2-in-1 coffee grinder at its own discretion. The benefits of this warranty are in addition to laws provided under local consumer laws.

You may require to present proof of purchase when making a claim under this warranty.

## HELLO&WELCOME

Thank you for choosing ARCO 2-in-1 modular coffee grinder!

ARCO makes it easy to grind coffee manually or with electric assistance for any brewing method, from ibrik to cold brew, with spectacular laboratory tested grind precision. All this can only lead to one result – a stellar cup of coffee.

Before you start, take a few moments and read this brochure. It will help you get familiar with ARCO's handling and functions.

**Now let's change the way you grind coffee. Forever.**

## CONTACT

web: [www.goat-story.com](http://www.goat-story.com)  
email: [info@goat-story.com](mailto:info@goat-story.com)

EQUA d.o.o. / GOAT STORY  
Koprska 106d,  
1000 Ljubljana  
Slovenia, EU

US distributor: ZIVIO LLC,  
16192 Coastal Hwy,  
Lewes, DE 19958, USA

Designed in EU / Made in China

## IMPORTANT INFORMATION

- Read the user manual carefully before you use the appliance for the first time. Keep it safe for later reference.

- EQUA d.o.o. (GOAT STORY) refuses all liability for loss or damage which arises as a result of failure to follow the instructions in this user manual.

- This appliance is intended to be used in household and similar applications such as staff kitchen areas in shops, offices, and other working environments, farm houses and similar and for the purposes described in the user manual. Commercial or industrial use will void the warranty.

## SAFETY WARNINGS

- **This device has a grounding plug. To ensure the protection against electrical shock or/ and fire hazard, use it with properly grounded outlets only.**

- Always mount the hand grinder to the electric dock before you turn on the power switch. Not doing so results in exposure of dangerous moving parts.

- Make sure that the hand grinder is perfectly fitted on the dock before turning the power switch on.

- Do not try to modify or in any way change the plug or your socket.

- Do not plug this appliance to a socket with the voltage or frequency other than specified on the bottom of this appliance.

- Before plugging in the appliance, check the voltage and frequency information on the bottom of the appliance.

- Do not use any type of adapter with this appliance.

- Only use approved extension cords with greater electrical ratings than this appliance.

- Unauthorized use and technical modifications to the appliance can result in electric shock or injury.

- This appliance is not water or splash proof.

- Always disconnect the appliance from the supply if it is left unattended and before assembling, disassembling, or cleaning.

- Switch off the appliance and disconnect from the supply before changing accessories or approaching moving parts.

- The appliance must be switched off before mounting/unmounting the hand grinder from/to the electrical dock.

- Always unplug the appliance from the electrical outlet before maintenance or cleaning.

- If you notice a problem or issue with the appliance, unplug the appliance from the electrical outlet.

- Never use this appliance if the power cord or power plug is damaged as it can result in electric shock or injury.

- If the power cord or plug is damaged it must be replaced by the manufacturer or by a qualified expert.

- Do not use damaged extension cords.

- Any repairs may only be done by authorized service personnel. For this reason, please contact our customer service at [info@goat-story.com](mailto:info@goat-story.com).

- Never unplug this appliance by pulling the cable. Always grasp the plug and pull gently.

- This appliance can be used by people aged 18 or above.

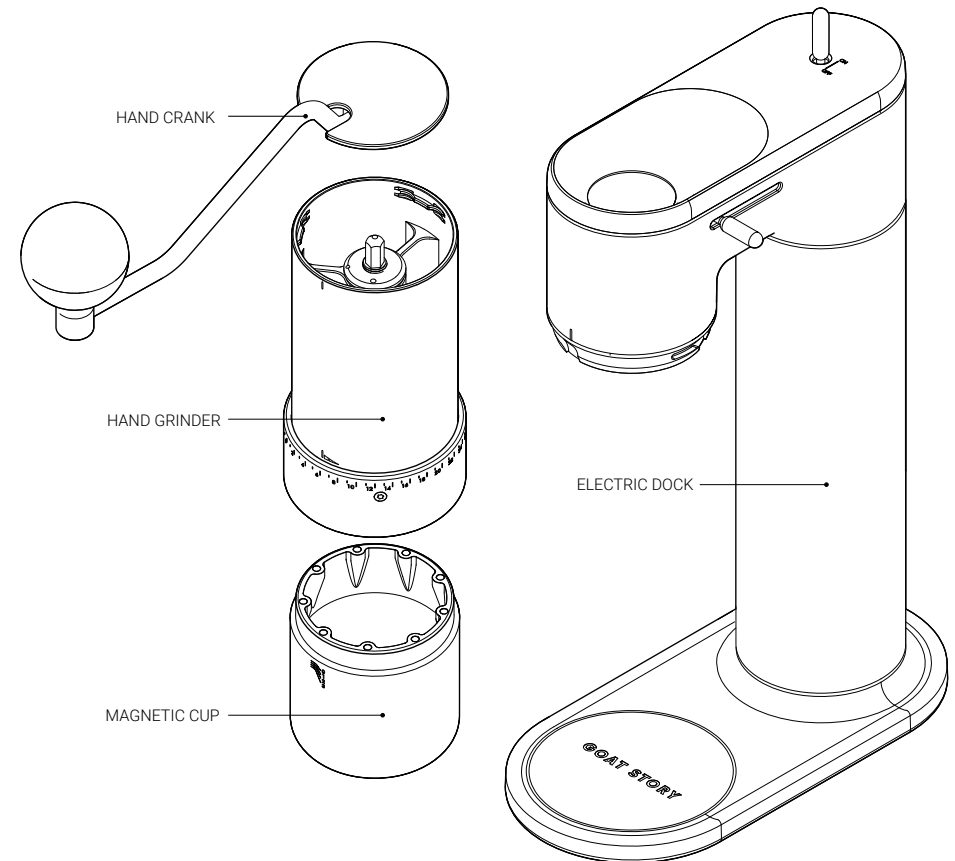
- This appliance can be used by persons with reduced physical, sensory, or mental capabilities or lack of experience and knowledge if they have been given supervision or instruction concerning use of the appliance in a safe way and understand the hazards involved.

- This appliance shall not be used by children. Keep the appliance and its cord out of reach of children.

- Children shall not play with the appliance.

- Cleaning and device maintenance shall not be made by children without supervision.

## WHAT'S IN THE BOX?

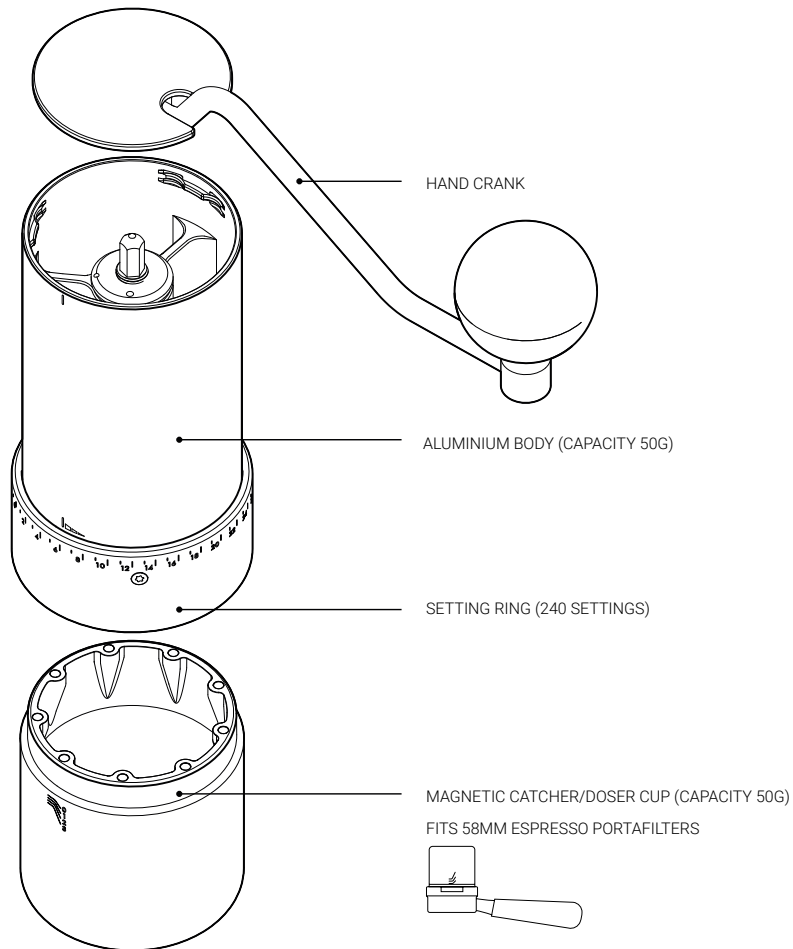


## ARCO HAND GRINDER

The ARCO hand grinder is a versatile high precision coffee grinder with 240 easy to adjust grind settings. It can be used as a standalone hand grinder or attached to the ARCO electric dock.

### How to grind coffee with the ARCO hand grinder:

1. Add coffee into the opening.
2. Attach the hand crank.
3. Attach the catcher/doser cup.
4. Grind by turning clockwise.



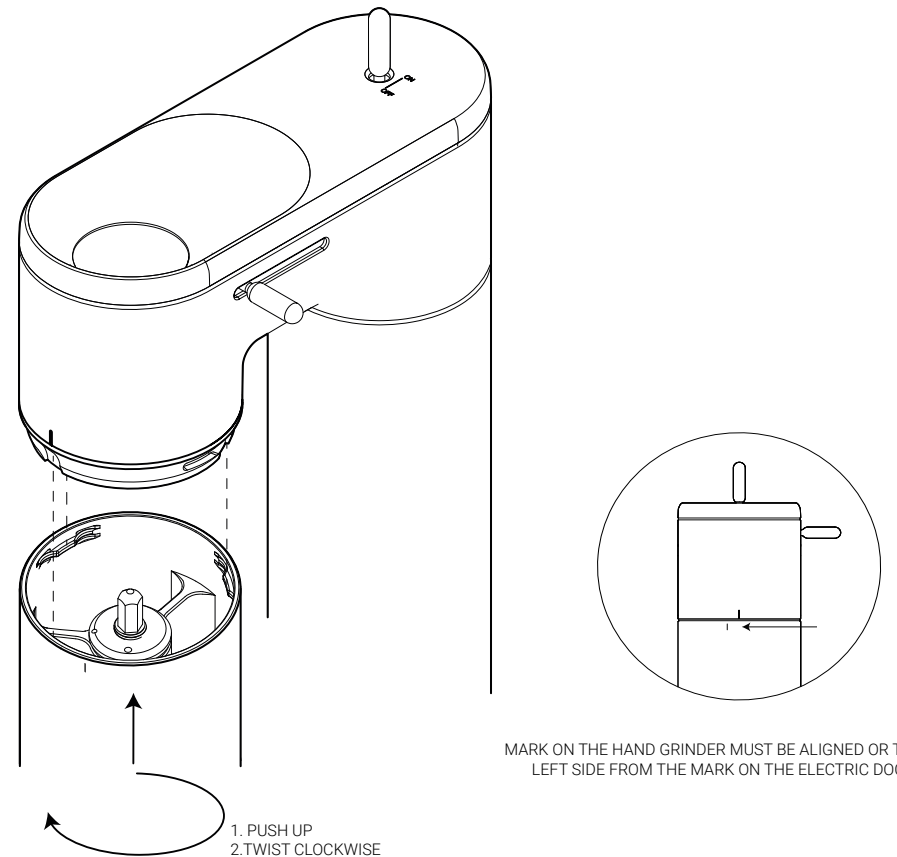
ONLY USE THE MAGNETIC CATCHER/DOSER CUP TO MINIMIZE STATIC

## CONNECTING THE HAND GRINDER TO THE ELECTRIC DOCK

The ARCO 2-in-1 coffee grinder has a simple bayonet mechanism to attach the hand grinder to the electric dock. This type of attachment is simple to use, durable and secure.

### How to attach/detach the hand grinder:

1. Fit the hexagon shaft on the hand grinder into the opening in the electric dock.
2. Push and turn the hand grinder clockwise (to the left).
3. Turn until the marks on the hand grinder and electric dock align.  
(The mark on the hand grinder can also be to the left of the mark on the electric dock)
5. To remove the hand grinder, rotate it counterclockwise (to the right).



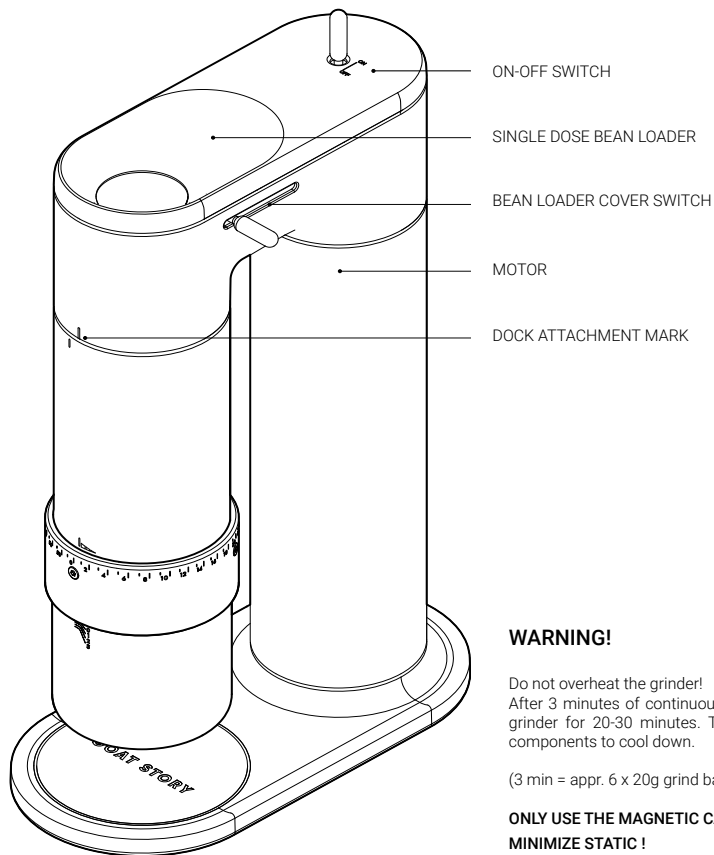
## ARCO 2-IN-1 COFFEE GRINDER

### How to grind:

The ARCO 2-in-1 coffee grinder uses an electric motor with a powerful gearbox to transfer the torque to the hand grinder. The grinder was tested using several types of coffee beans from ultra light roasts to darker espresso roasts.

### How to grind with ARCO 2-in-1

1. Attach the hand grinder to the electric dock (see instructions on previous page).
2. Open the bean loader cover.
3. Add coffee (capacity 50g).
4. Attach the magnetic cup.
5. Turn on the grinder using the ON/OFF switch.
6. When the coffee is ground, switch the grinder OFF.



### WARNING!

Do not overheat the grinder!  
After 3 minutes of continuous grinding you should not use the grinder for 20-30 minutes. This enables the internal dynamic components to cool down.

(3 min = appr. 6 x 20g grind batches at espresso grind setting)

**ONLY USE THE MAGNETIC CATCHER/DOSER CUP TO MINIMIZE STATIC !**

## GRIND ADJUSTMENT

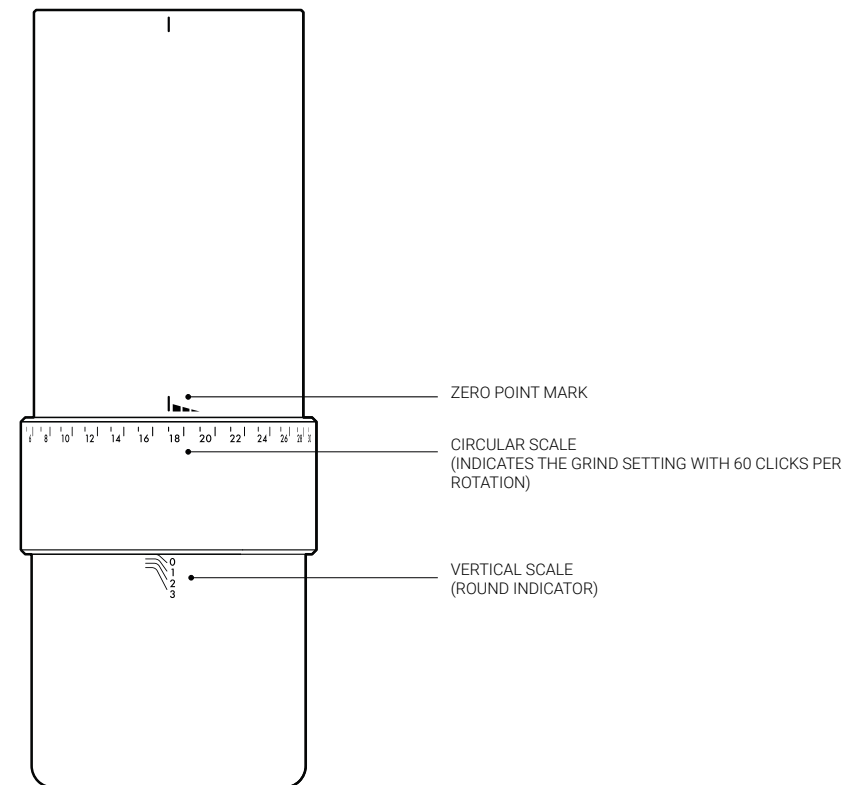
The ARCO grind adjustment system has a total of 240 grind settings that range from very fine (e.g. for ibrik) to very coarse (e.g. for cold brew).

The setting system has a setting ring on the outer body of the grinder that allows for quick and accurate grind adjustment. The setting ring can be rotated by 4 full rounds with 60 settings (clicks) in each round.

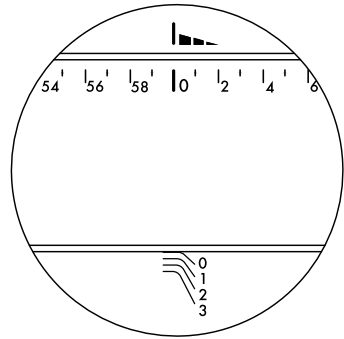
The grinder has two grind marks:

- Horizontal circular scale (indicates the number of clicks in one rotation).
- Vertical scale (indicates how many full rounds the setting ring has made).

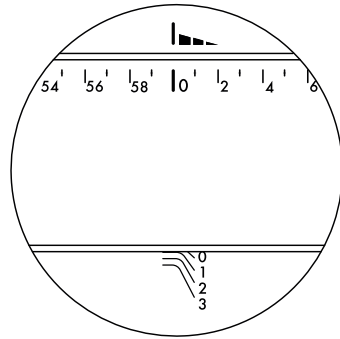
To check the grind setting, first check the vertical scale (indicating rounds 0, 1, 2 and 3) and then the horizontal circular scale.



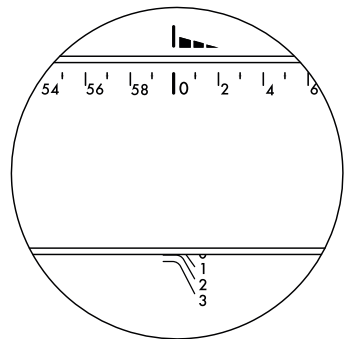
## GRIND SIZE CHART



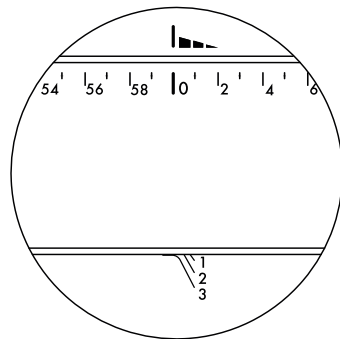
ZERO POINT



60 CLICKS



120 CLICKS



180 CLICKS

### Recommended grind settings:

IBRIK 0/0-35	ESPRESSO 0/30-60	MOKA POT 1/0-40	FILTER 1/20-60	FRENCH PRESS 2/0-60	COLD BREW 3/0-60
-----------------	---------------------	--------------------	-------------------	------------------------	---------------------

## CARE & MAINTENANCE

**Prior to any maintenance and/or cleaning, switch off and unplug the grinder from the power outlet.**

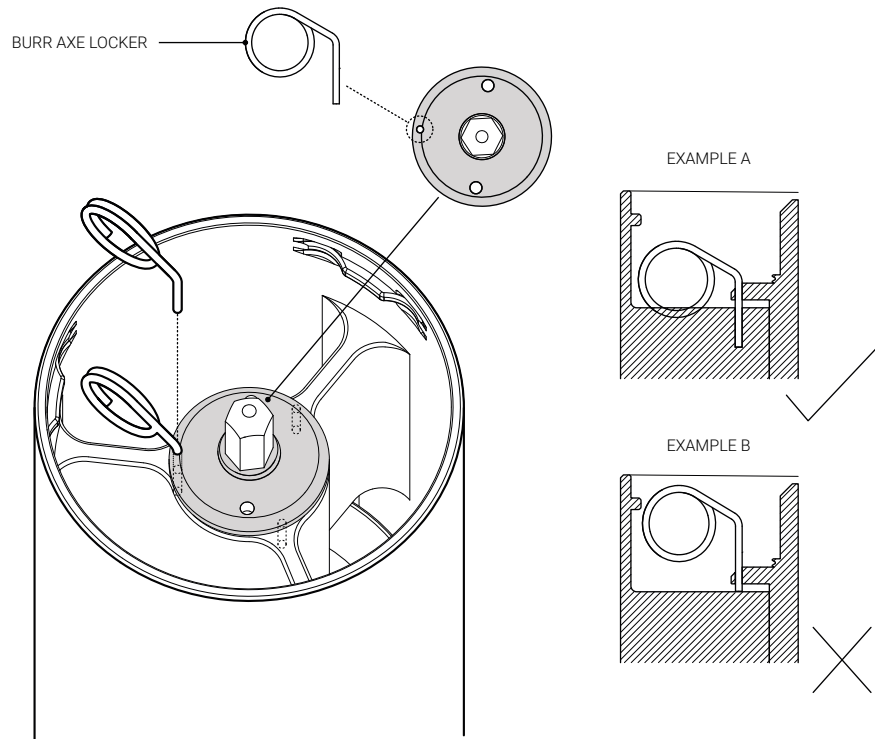
- Do not use chemicals or cleaning substances to clean the grinder.
- Clean external surfaces with a damp cloth and dry well.
- Clean the burrs gently with a dry soft brush. Disassembly is needed to clean the burrs. Please see pages 12 to 13 for instructions.
- Do NOT immerse the grinder in water. Do NOT wash the burrs with water.
- Wash the catcher/doser cup with warm soapy water and dry completely before use.

## REMOVING THE BURRS

To clean the burrs, you need to disassemble the grinder and remove the inner burr from the grinder. A special tool is needed and is included in the box.

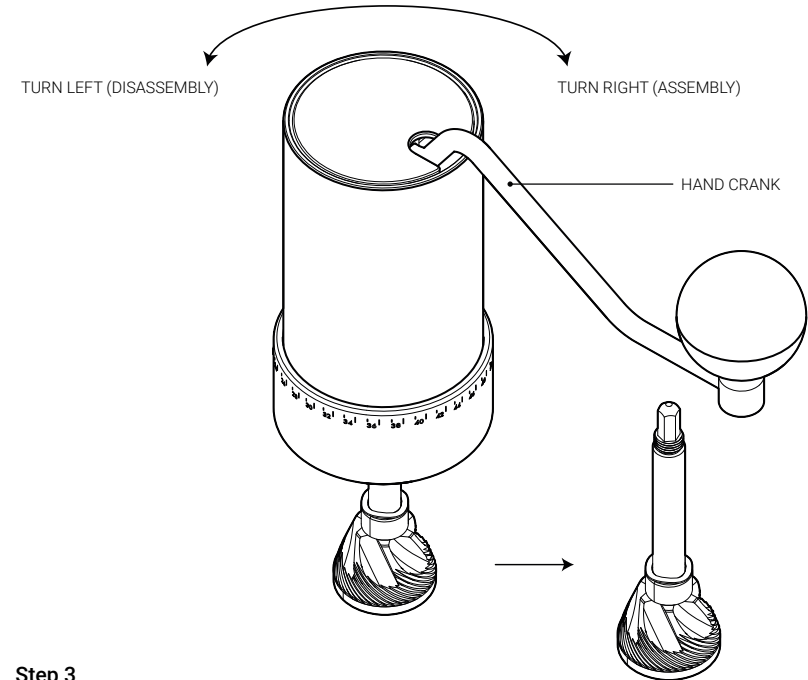
### Step 1

Insert the burr axe locker into the disassembly hole in the nut and align with the hole in the grinder body. The burr axe locker should sit at the bottom of the grinder body opening. (example A)



### Step 2

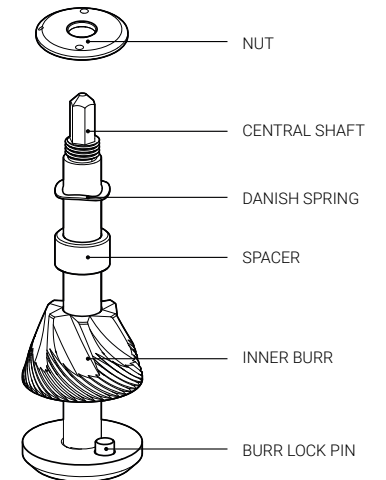
Attach the hand crank and turn counterclockwise (to the left) until the shaft is released from the grinder body.



### Step 3

To assemble the grinder, insert the shaft with all parts in the correct order. Turn the handle clockwise until you feel resistance. Do not overtighten!

**IMPORTANT:** Remove the burr axe locker after cleaning to avoid damage to the grinder!!!





## PRODUCT SPECIFICATIONS - **HAND GRINDER**

Unit dimensions / mm	(H x W x D) 200 x 62 x 190 mm
Unit dimensions / Inch	(H x W x D) 7.9" x 2.4" x 7.5"
Weight	800g / 1.76 Lbs
Unibody capacity	50g
Catch capacity	50g
Unibody material	Aluminum 6000 alloy/powder coating finish
Catch material	Aluminum with plastic interior
Crank material	Steel with plastic knob
Conical burr	Nitrided steel 47/32mm
Catch/Doser	Compatible with 58mm portafilter

## PRODUCT SPECIFICATIONS - **DOCK 2 IN 1**

Unit dimensions / mm	(H x W x D) 280 x 92 x 190 mm
Unit dimensions / Inch	(H x W x D) 11" x 3.6" x 7.5"
Weight	3000g / 6.6 Lbs
Motor / 230V / EU	AC 220-240V 50-60Hz 200W
Motor / 120V / US	AC 110-130V 50-60Hz 200W
Motor / 100V / JP	AC 90-110V 50-60Hz 200W
Speed	~ 360 Rpm

### **DISPOSAL**

The European directive 2012 / 19 / CE on Waste Electrical and Electronic equipment (WEEE), requires that old household electrical appliances must not be disposed in the normal unsorted municipal waste stream. Old appliances must be collected separately in order to optimize the recovery and recycling of the materials they contain and reduce the impact on human health and the environment.

**Change the way you grind coffee. Forever.**

[WWW.GOAT-STORY.COM](http://WWW.GOAT-STORY.COM)



Designed in EU / Made in China