

A  $\varnothing$  150 for lines

The Melitta® Cafina® XT8-F is delivered ready for connection. However, before setting it up, the connections required on site must have been installed within a radius of 1 m so that they are easily accessible. This preliminary work must be carried out by authorized specialists in compliance with the applicable regulations. Melitta® Customer Service is not authorized to carry out this work and does not assume any responsibility for the installation.

The machine must be positioned on a level table top. The supply lines must be routed from underneath. To insert the connection hoses and the connection cables, an aperture is to be provided in the table top underneath each unit measuring approx.  $\varnothing$  150 mm (A).

With the feet installed, the units can be raised by approx. 15 mm.

#### Unit specifications:

Hourly output:	approx. 80 l hot water or approx. 500 cups of coffee	Dimensions (W x D x H):	350 x 580 x 765 mm
		Installation weight:	approx. 70 kg
Permissible ambient temperature:	5 °C - 30 °C	Ground coffee capacity:	approx. 7.2 l / approx. 2500 g
Permissible air humidity:	< 80 % non-condensing	Coffee urn capacity:	max. 4 l coffee

Suction height of milk pump (additional option) max. 500 mm from bottom edge of machine (tube length max. 1000 mm).

#### Electrical connection (a):

Mains connection:	3N AC 400 V / 50 - 60 Hz – via 1.8 m mains cable (e.g., with CEE 16 A mains plug)
Power consumption:	max. 9.5 kW
On-site fuse:	3 x 16 A required

The connections must be established using easily accessible sockets. These must be protected with a residual current circuit breaker (max. 30 mA).

#### Fresh water connection (b):

Fresh water connection: G 3/4" outer thread

A shut-off valve, which makes it possible to connect this machine in accordance with national regulations, such as EN 61770, must be installed in an easily accessible place. The machine is supplied with the corresponding connection hoses. An easily accessible fine filter (c) must be provided at the water connection.

Fresh water pressure: min. 0.25 MPa (2.5 bar) at approx. 5 l/min  
a pressure reducer is required for static pressures above 0.6 MPa (6 bar)

If the water pressure is too low, a booster pump must be used (operator responsibility). The supply line for the booster pump must be fuse-protected separately at the site. Required space in the cabinet approx. (W x D x H): 210 x 400 x 460 mm. Electrical connection: 230 V, 0.6 kW, > 6 A with shock-proof mains plug.

Fresh water carbonate hardness: 1 °dKH - 3 °dKH: no action required  
4 °dKH - 9 °dKH: provide Everpure filter  
10 °dKH and above: decarbonization system required (e.g., BRITA Purity)  
less than 1 °dKH: consult Melitta®

Date: 09/2018  
Page: 1/2

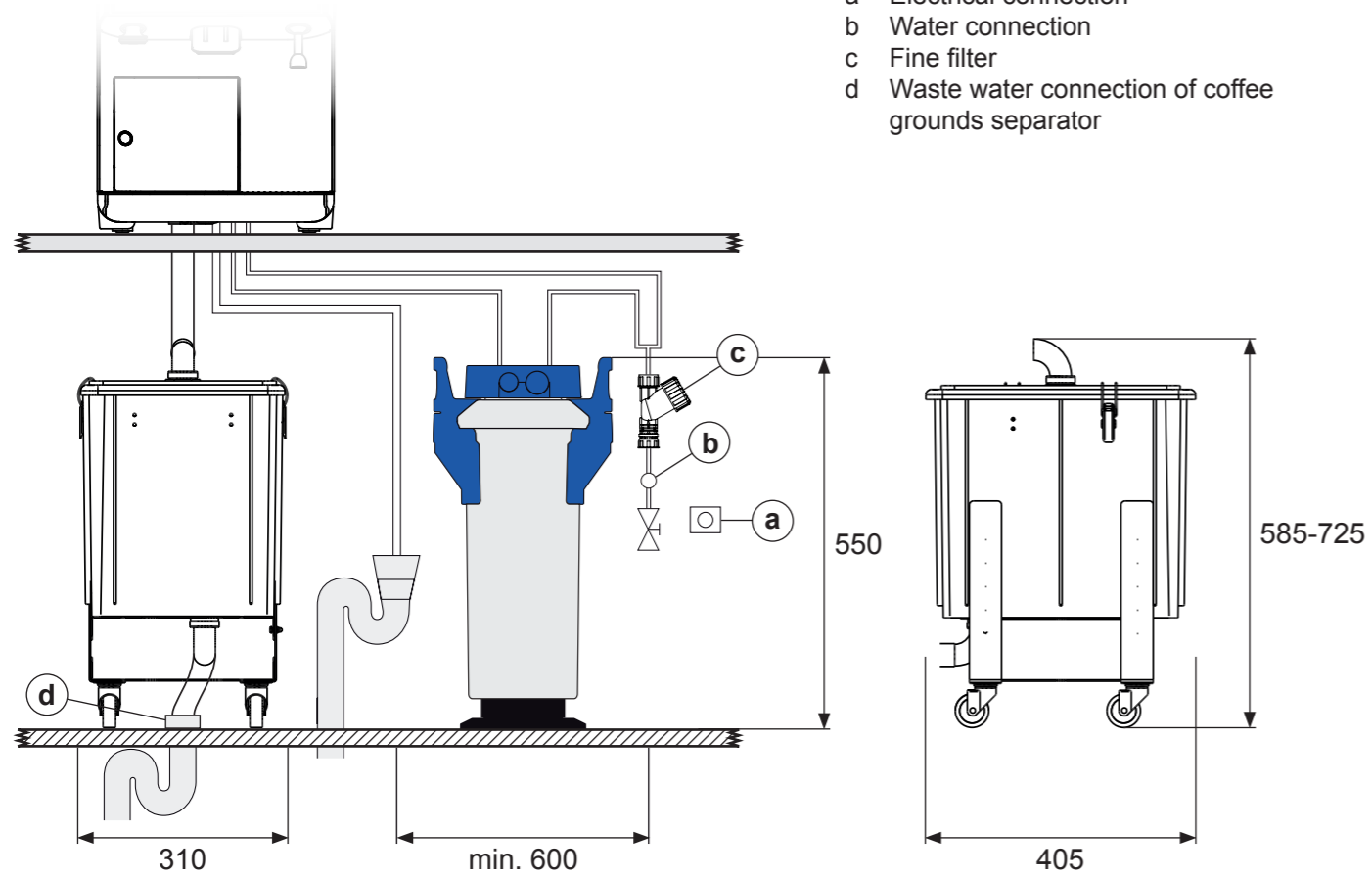
Subject to changes.  
Property of Melitta®.  
Reproduction prohibited.



**Melitta® Cafina® XT8-F**  
Dimension and datasheet

**Coffee grounds separator on rollers**

- a Electrical connection
- b Water connection
- c Fine filter
- d Waste water connection of coffee grounds separator



**Waste water connection (d):**

Waste water connection: at least DN 50 - NW 2" – a ventilated odor trap is to be provided

The Melitta® Cafina® XT8-F is fitted with two nozzles for the drain of waste water. These must be connected to a water drain on site using the hoses supplied.

**Coffee grounds separator:**

As an additional option, we offer coffee grounds separators for tables without bottom/base on rollers or for tables with bottom/base on extraction slides.

With extraction slides (approx. 375 mm extraction), the coffee grounds separator is mounted by bolting it to the lower bottom/base.

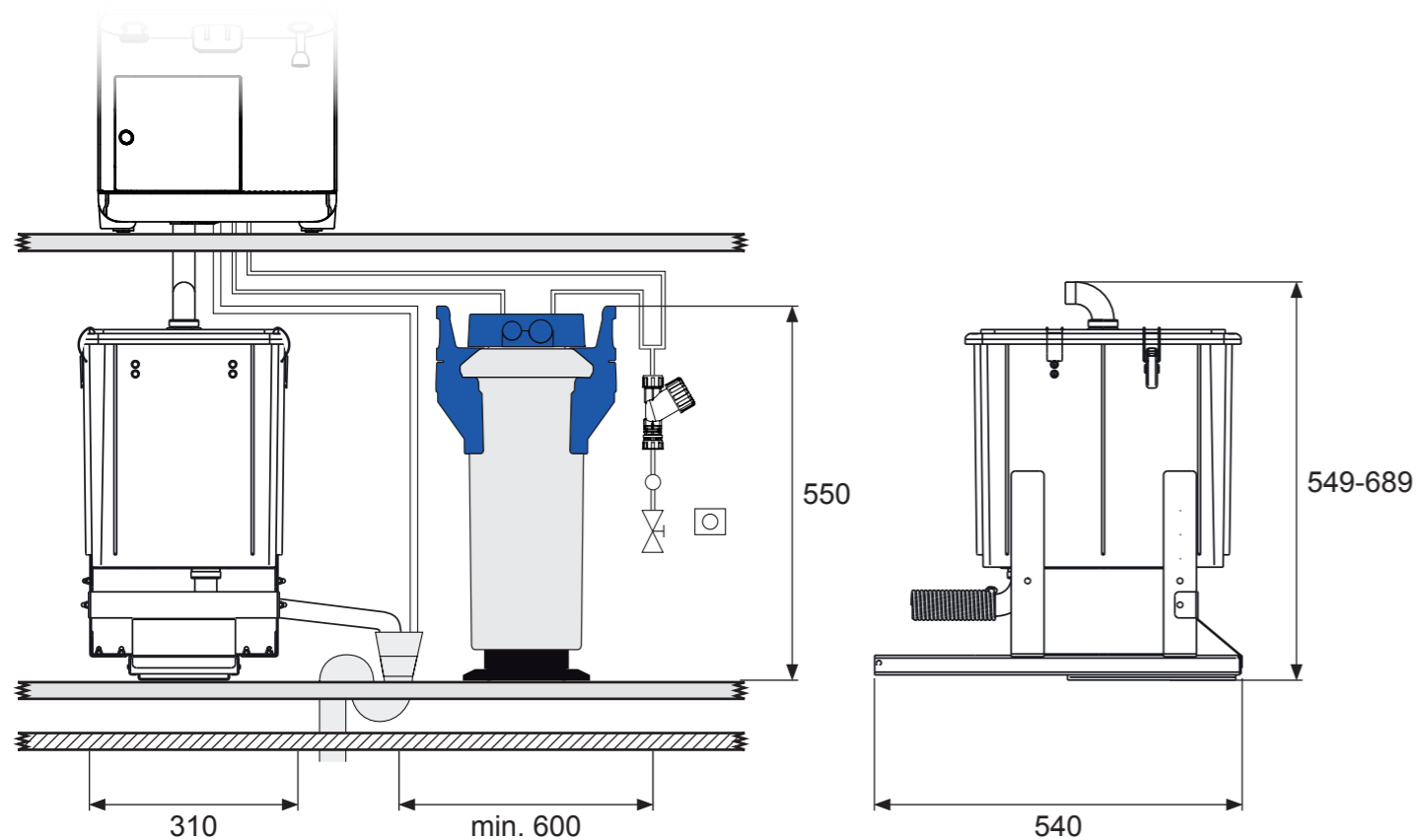
An easily accessible arrangement must be ensured for emptying the coffee grounds separator. It must be possible to extend and retract the coffee grounds separator freely.

Capacity: approx. 15 kg

The height of the respective container can be adjusted in its base frame to up to 140 mm for a sufficient downward slope to the waste water connection (max. 200 mm above upper edge of floor/base) at the site. Note that the total height will increase depending on the design.

[www.planerhandbuch.de](http://www.planerhandbuch.de)

**Coffee grounds separator on extraction slides**



Date: 09/2018  
Page: 2/2

Subject to changes.  
Property of Melitta®.  
Reproduction prohibited.



**Melitta® Cafina® XT8-F**  
Dimension and datasheet

All dimensions are approximate dimensions in millimeters.